

PTU SERIES

PP can construction with press-fit top cover and U terminal lead out

Metallised Polypropylene (MPP) Capacitors are film Capacitors, made out of two Al-Zn metallised films with plastic film acting as dielectric. PTU series MPP Capacitors are with press-fit top cover, U terminal lead out and encapsulated in PP can.

1. SPECIFICATIONS

Series	PTU Series
Type	Metalized Polypropylene Motor Run Capacitor
Reference Standard	IS2993 : 1998
Rated Voltage	440 Vac
Rated Frequency	50/60 Hz
Climatic Category	-25/85°C/21
Type	MPP-SH
Safety Protection	P0
Capacitance Range	8 to 60 μ F
Capacitance Tolerance	\pm 5%
Class of Operation	Class C/ Class D

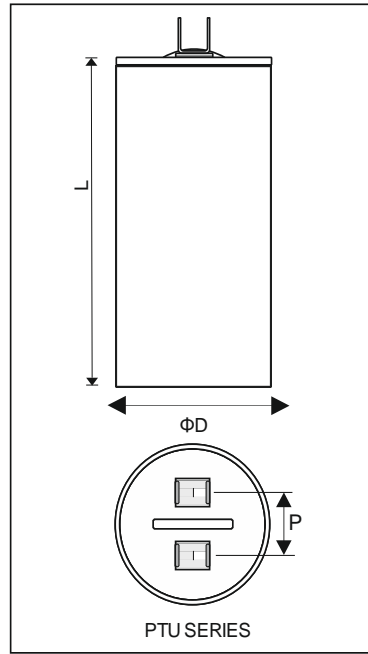
2. OTHER INFORMATION

Type of packing and Lead configuration	Bulk. U terminal lead out.
Capacitor codification system	Refer section 6 for details
Dimensional specification	Refer section 4 for details
Marking specification	Refer section 7 for details

PTU SERIES

PP can construction with press-fit top cover and U terminal lead out

3. PHYSICAL OUTLINE



All Dimensions are in "mm"

4. DIMENSIONS (All units in mm)

Case Code	Diameter ØD±2 (mm)	Length L±3 (mm)
GK	35	71
JK	40	71
JR	40	94
LR	45	94
NV	50	120

PTU SERIES

PP can construction with press-fit top cover and U terminal lead out

5. STANDARD RATING TABLE

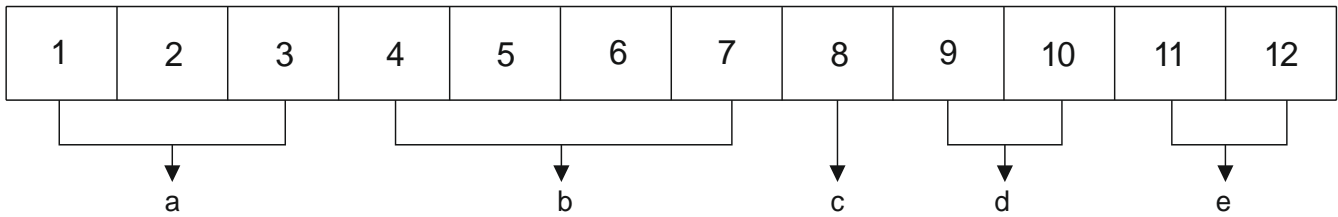
Part Number	Rating (μ F)	Diameter $\varnothing D \pm 2$ (mm)	Length $L \pm 3$ (mm)	Case Code	Pitch Length $P \pm 0.1$ (mm)
PTU08R0GGKWC	8	35	71	GK	13
PTU10R0GGKWC	10	35	71	GK	13
PTU15R0GJKWC	15	40	71	JK	13
PTU20R0GJRWC	20	40	94	JR	13
PTU25R0GJRWC	25	40	94	JR	13
PTU30R0GLRWC	30	45	94	LR	13
PTU36R0GLRWC	36	45	94	LR	13
PTU40R0GNVWC	40	50	120	NV	13
PTU45R0GNVWC	45	50	120	NV	13
PTU50R0GNVWC	50	50	120	NV	13
PTU60R0GNVWC	60	50	120	NV	13

PTU SERIES

PP can construction with press-fit top cover and U terminal lead out

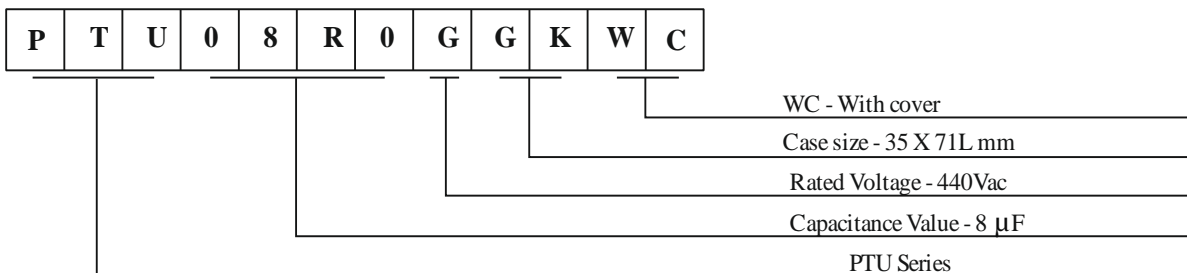
6. CAPACITOR ORDERING INFORMATION

Capacitors are identified with the help of a 12-digit code. Expansion of part Nos are detailed below.



a	b	c	d	e
Series Code	Capacitance Value Code	Voltage Code	Case Code	Top Cover Details
PTU: PP can, Resin Top, U terminal termination	Eg: (i) 20 μ F is coded as 20R0 (ii) 2.5 μ F is coded as 02R5 (For the range of Capacitance refer rating table)	A - 110 V B - 230 V G - 440 V	Eg: LR - 45 x 94 NV - 50 x 120	WC - With Cover

Eg: PTU Series 8 μ F/440VAC




PTU SERIES

PP can construction with press-fit top cover and U terminal lead out

7. MARKING ON THE CAPACITOR

For PTU series MPP Capacitors product information is printed on the can in black letters.

The following information are marked on the Capacitor;

- | | |
|---|-------------------------------------|
| 1) Manufacturer's Name and Logo  | 2) Climatic Category |
| 3) Nominal capacitance value in μf | 4) Capacitance tolerance |
| 5) Rated voltage | 6) Rated frequency |
| 7) Self – healing (SH) | 8) Class of operation |
| 9) Safety protection | 10) Specification (standard) number |
| 11) Date code (Year-Month) | 12) ISI Mark and Licence No: |

8. DATE CODE

Year Code:

Year	2000	2001	2002	2003	2004	2005	2006	2007	2008	2009
Letter Code	M	N	P	R	S	T	U	V	W	X
Year	2010	2011	2012	2013	2014	2015	2016	2017	2018	2019
Letter Code	M	N	P	R	S	T	U	V	W	X

Year code repeats after each cycle of 20 years

Month Code:

Month	Jan	Feb	Mar	Apr	May	June	July	Aug	Sep	Oct	Nov	Dec
Code	1	2	3	4	5	6	7	8	9	O	N	D

PTU SERIES

PP can construction with press-fit top cover and U terminal lead out

9. PACKING QUANTITY

MPP Capacitors are packed in a PRIMARY cardboard carton by incorporating suitable SEPERATORS to avoid damages during transit. The primary cartons are then placed in a MOTHER Cardboard carton before shipment.

Packing quantity per primary carton are detailed below;

Case Code	No.s/ Carton
GK	81
JK	64
JR	64
LR	49
NV	36